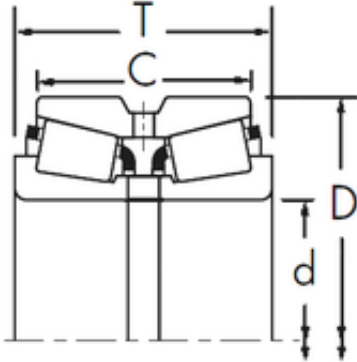




Bearings International Co., Ltd

Timken 390/394D+X2S-390 tapered roller bearings



Bearing No. 390/394D+X2S-390

Dimensione	57.15x110x52.388 mm
Marchio	Timken
Diametro del foro	57,15 mm
Diametro esterno	110 mm
Larghezza	52,388 mm
d	57,15 mm
D	110 mm
T	52,388 mm
C	46,038 mm
R	2,3 mm
r	0,8 mm

390/394D+X2S-390 Bearing 2D drawings and 3D CAD models