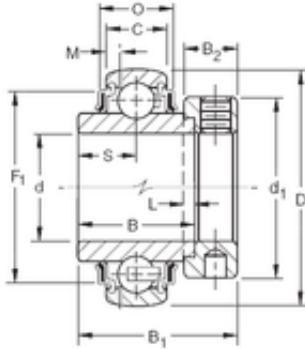




G-KRRB Two Seals  
Spherical O.D.



## Timken G1102KRRB deep groove ball bearings

Bearing No. G1102KRRB

Size	28.575x62x36.51 mm
Bore Diameter	28,575 mm
Outer Diameter	62 mm
Width	36,51 mm
d	28,575 mm
D	62 mm
B	36,51 mm
C	18 mm
P	21,56 mm
O	52,53 mm
d1	44,1 mm
B1	3,96 mm
B2	15,9 mm
L	4 mm
S	18,3 mm
F1	48,4 mm
Weight	0,404 Kg
Basic dynamic load rating (C)	21,8 kN

G1102KRRB Bearing 2D drawings and 3D CAD models