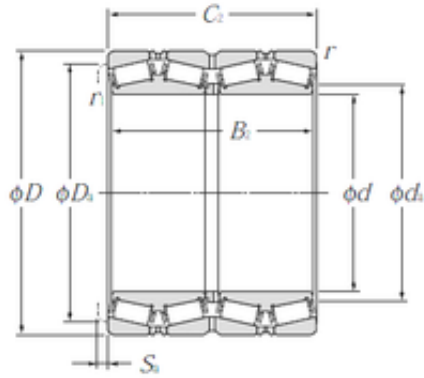




## NTN E-CRO-5501 tapered roller bearings



Bearing No. E-CRO-5501

Size	275x385x200 mm
Bore Diameter	275 mm
Outer Diameter	385 mm
Width	200 mm
d	275 mm
D	385 mm
B	200 mm
C	200 mm
r min.	3 mm
r1 min.	3 mm
Da	355 mm
da	300 mm
Sa	6 mm
Weight	62,5 Kg
Basic dynamic load rating (C)	1 610 kN

E-CRO-5501 Bearing 2D drawings and 3D CAD models