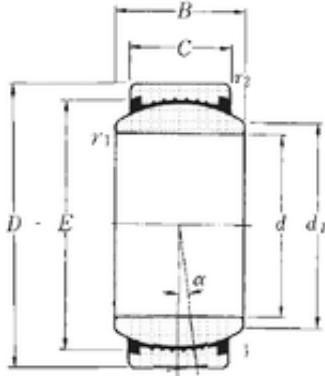




Bearings International Co., Ltd

NTN SAR1-25 plain bearings



SAR1-25 Bearing 2D drawings and 3D CAD models

Bearing No. SAR1-25

Size	25x42x20 mm
Bore Diameter	25 mm
Outer Diameter	42 mm
Width	20 mm
d	25 mm
D	42 mm
B	20 mm
C	16 mm
d1	29,3 mm
r1 min.	0,6 mm
r2 min.	0,6 mm
E	37,2 mm
Angle	7 °
Weight	0,102 Kg
Category	Plain Bearings
Inventory	0.0
Manufacturer Name	NTN
Minimum Buy Quantity	N/A
Weight / Kilogram	0.106
EAN	4547359179712
Product Group	B04264
bore diameter:	25 mm
inner ring material:	Chrome-Plated Steel
outside diameter:	42 mm
outer ring width:	16 mm
misalignment angle:	7 °



Bearings International Co., Ltd

race material:	PTFE Composite
inner ring width:	20 mm
axial static load capacity:	2290 N
bearing type:	Radial
radial dynamic load capacity:	40500 N
lubrication type:	Maintenance Free/Self-Lubricating
operating temperature range:	-58 to +212 ° F
closure type:	Open