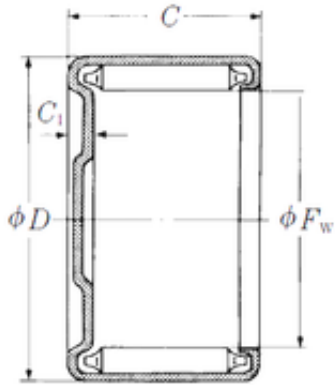




Bearings International Co., Ltd

NSK M-1681 needle roller bearings



Bearing No. M-1681

Size	25.4x31.75x12.7 mm
Bore Diameter	25,4 mm
Outer Diameter	31,75 mm
Width	12,7 mm
Fw	25,4 mm
D	31,75 mm
C	12,7 mm
C2	2,3 mm
Weight	0,025 Kg
Basic dynamic load rating (C)	15,7 kN

M-1681 Bearing 2D drawings and 3D CAD models