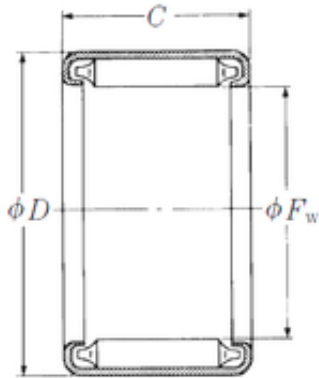




Bearings International Co., Ltd

NSK BH-910 needle roller bearings



Bearing No. BH-910

Size	14.288x20.638x15.88 mm
Bore Diameter	14,288 mm
Outer Diameter	20,638 mm
Width	15,88 mm
Fw	14,288 mm
D	20,638 mm
C	15,88 mm
Weight	0,016 Kg
Basic dynamic load rating (C)	14,8 kN

BH-910 Bearing 2D drawings and 3D CAD models